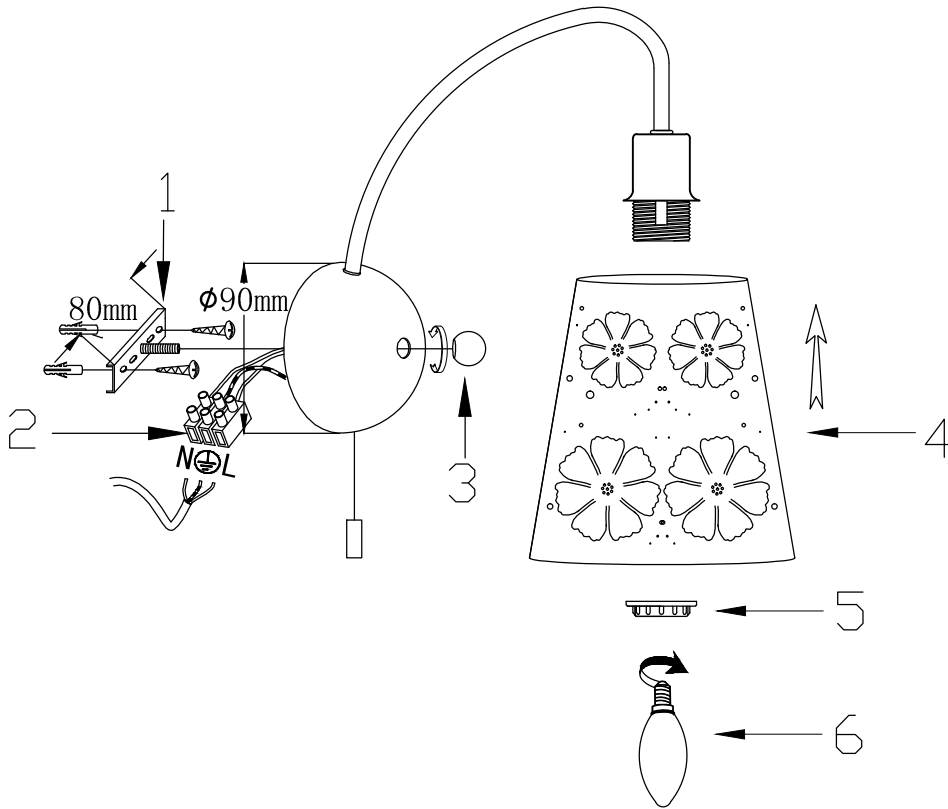


INSTALLATION INSTRUCTION  
ODEON LIGHT art 2503/1W



INSTALLATION INSTRUCTION  
ODEON LIGHT art 2503/1W

