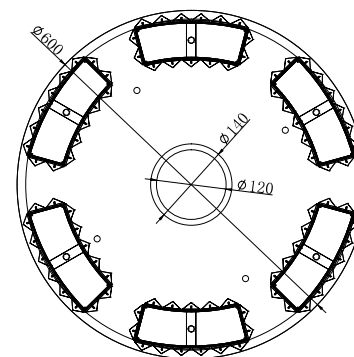
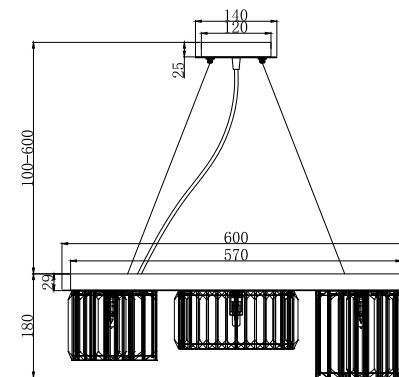
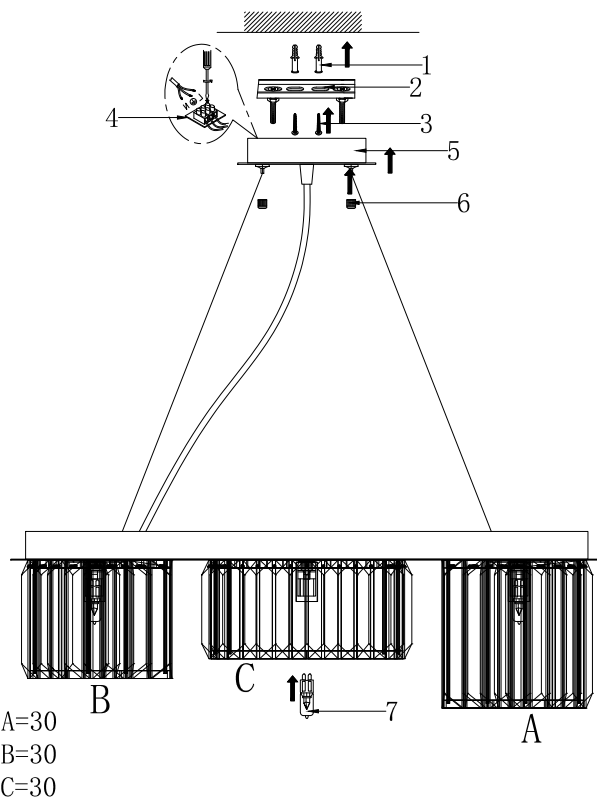


Instruction

MOD083PL-06CH



Gross Weight: 0 kg

Net Weight: 0 kg

Volume: 0 m³

Weight and Volume Margin of Error: ±10%

Color: Chrome

Material: Stainless Steel



6 x G9 (40W)

Model: MOD083PL-06CH

Collection: Modern

Series: Colline



Pendant Lamps