

LUCIDE

GENERAL SPECIFICATIONS



item number : 11801/01/12
EAN code : 541121214778

BILTIN



**RECOMMENDED LUCIDE
LIGHT SOURCE**

49008/05/60

Light source dimmable : Yes

Light source incl. : No

General

Dimensions LxWxH : 12,5 cm, DIA 10,8cm

Height minimum : 12,5 cm

Height maximum : 12,5 cm

Dimensions shade LxWxH : -

Ceiling rose material : -

Color : Stainless steel + black

Style : Modern

Shape : Square

Weight : 0.75 kgs

Warranty : 2 years

Product specifications

Dimmable : No

Light direction : Inground Light

Adjustable in height : No

Cable : 3x0.75mm² silicon cable + connection box

Cable length : 1M

Sensor : Without Sensor

Control : -

IP-Class : 67

Electric class : 1

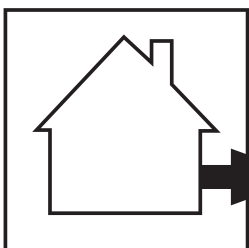
Light source including ? : No

Lamp socket : GU10

Light source number : 1

Power requirements : 220-240V~50Hz

Bulb type & maximum wattage : GU10 35W



IP44

IP54

IP65

IP67

Explanation of IP numbers for degrees of protection, see safety instruction manual in the box.

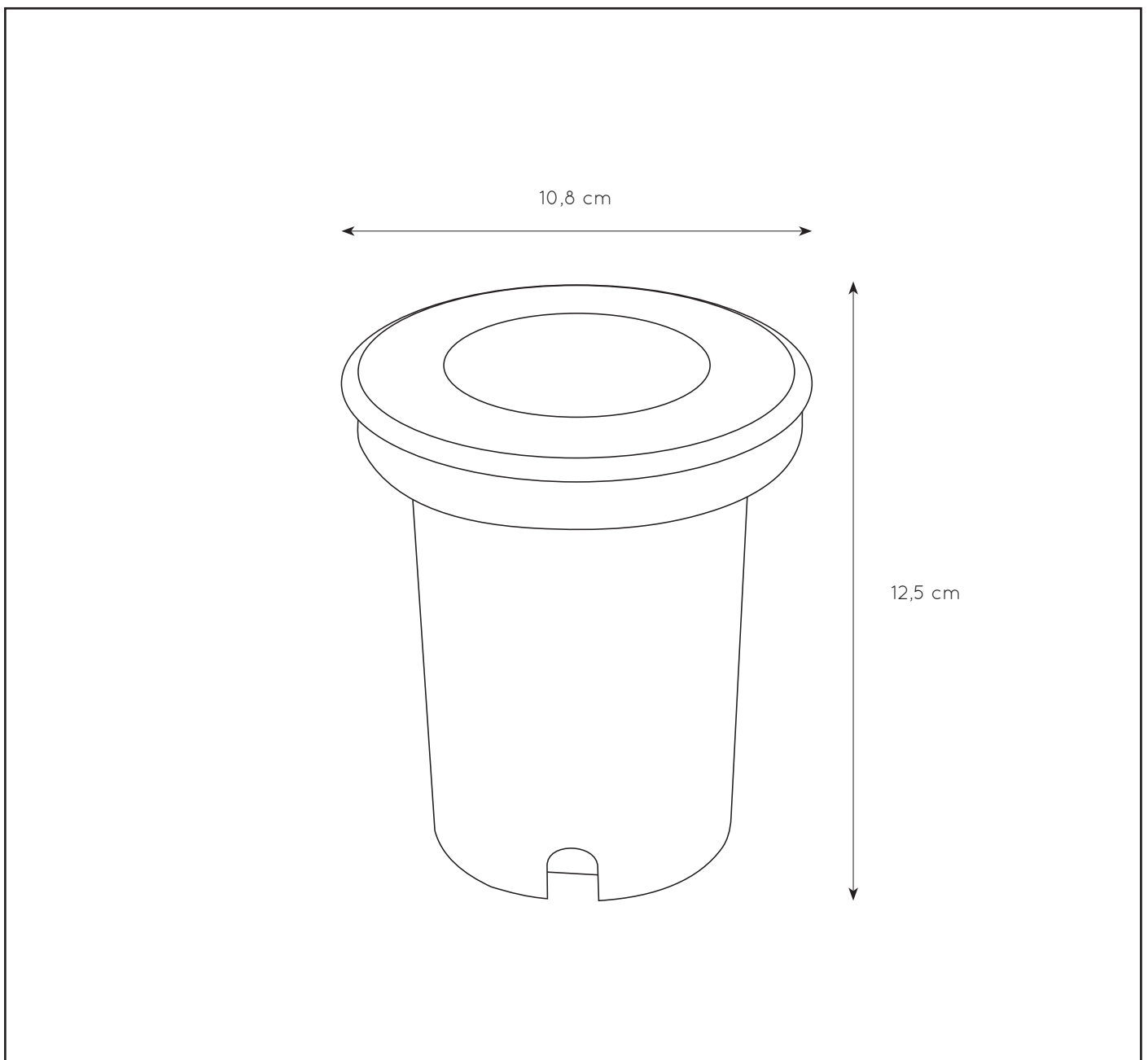
For more specifications of this product please visit

www.lucide.com

BILTIN

Item number : 11800/01/12

EAN code : 5411212114761



LUCIDE

INSTALLATION DRAWING SPECIFICATIONS

