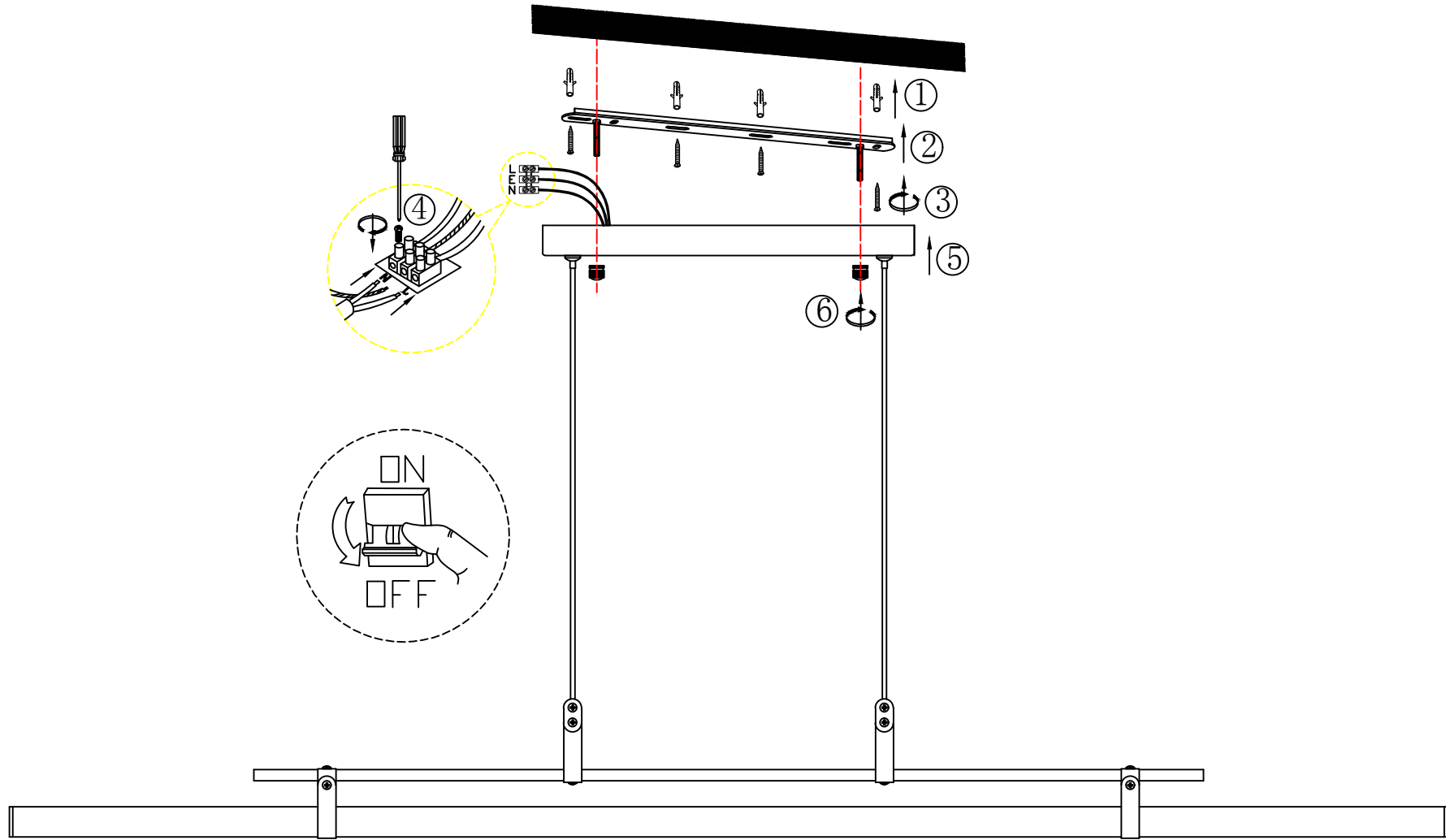


9498P/L1200



1. Rated Voltage: AC220~240V
2. Frequency: 50~60Hz
3. light source: LED
4. Material: Metal