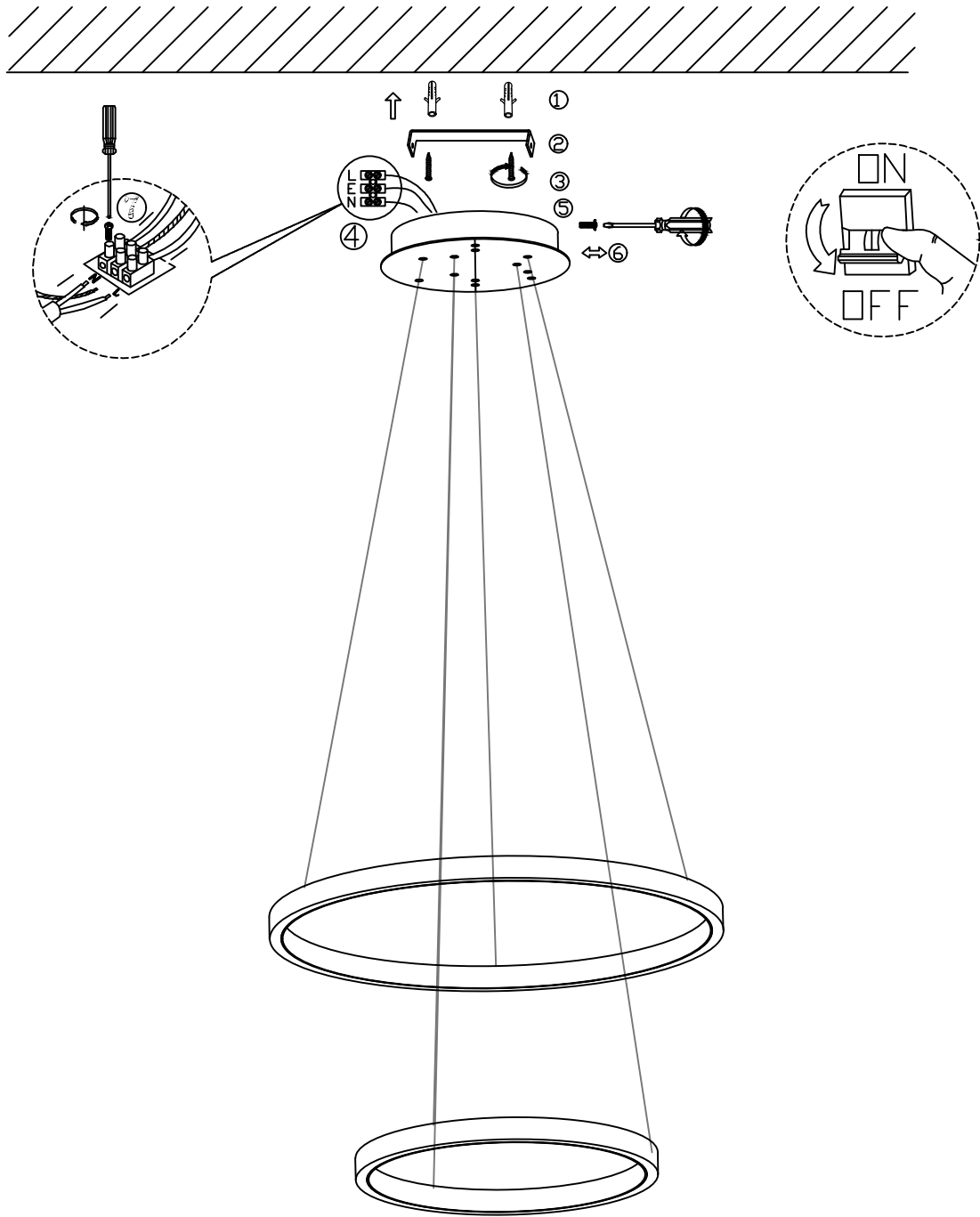


10112P/600+400



1. Rated Voltage: AC220-250V
2. Frequency: 50Hz
3. light source:LED
4. Material:Aluminum+Acrylic