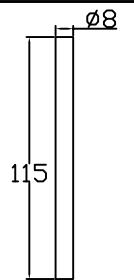
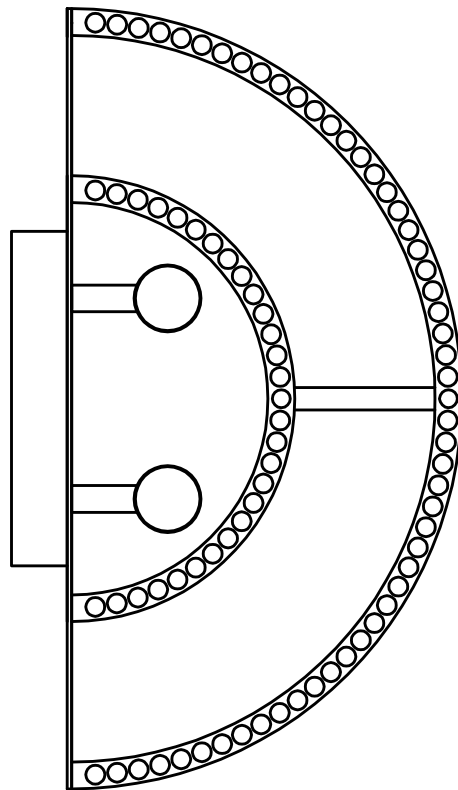
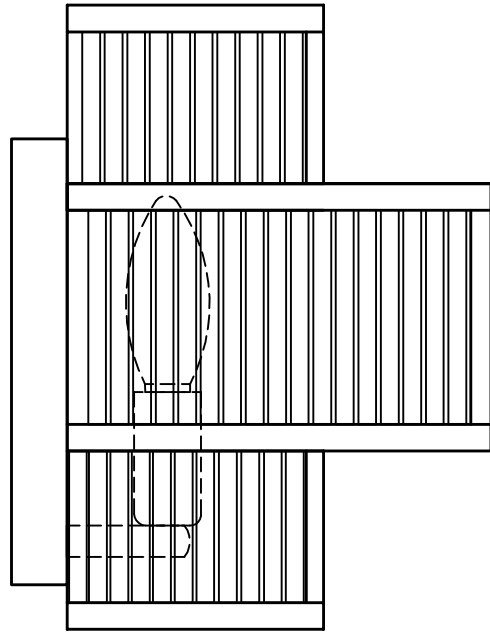
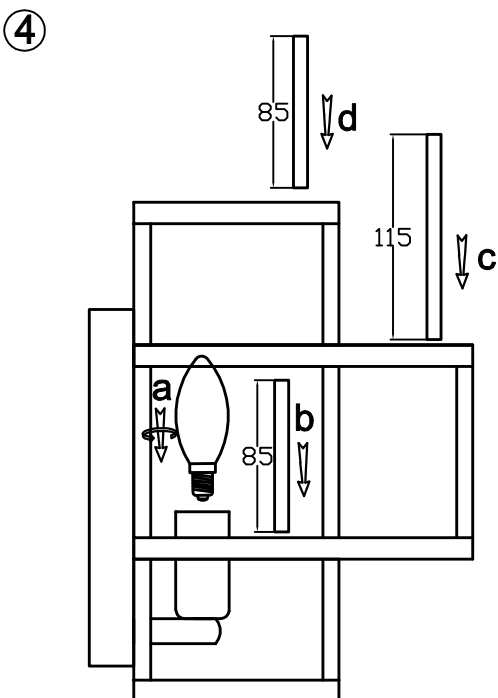
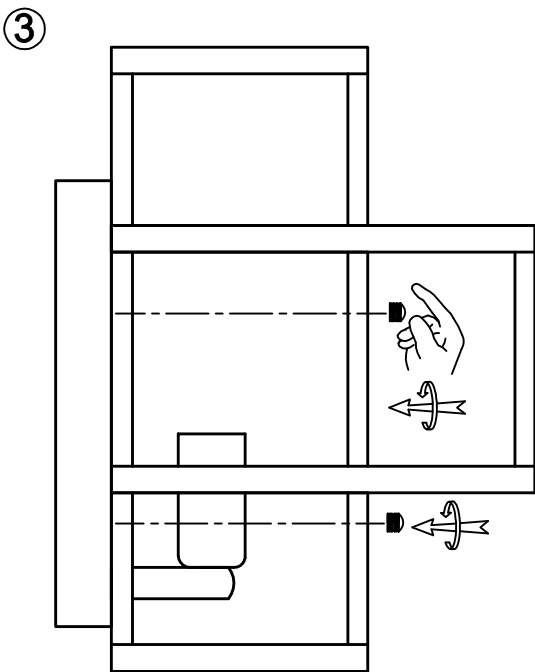
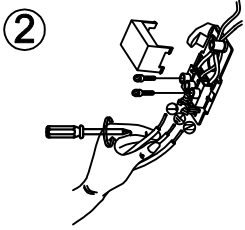
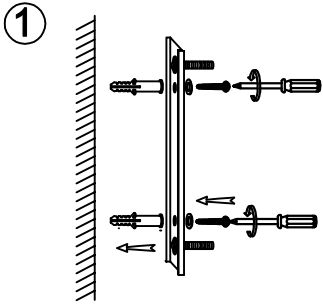
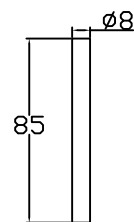


KM0926W-2



A:48 pcs



B:52 pcs