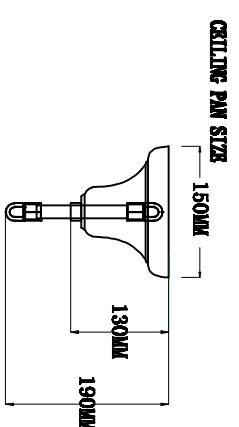
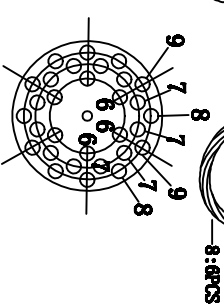
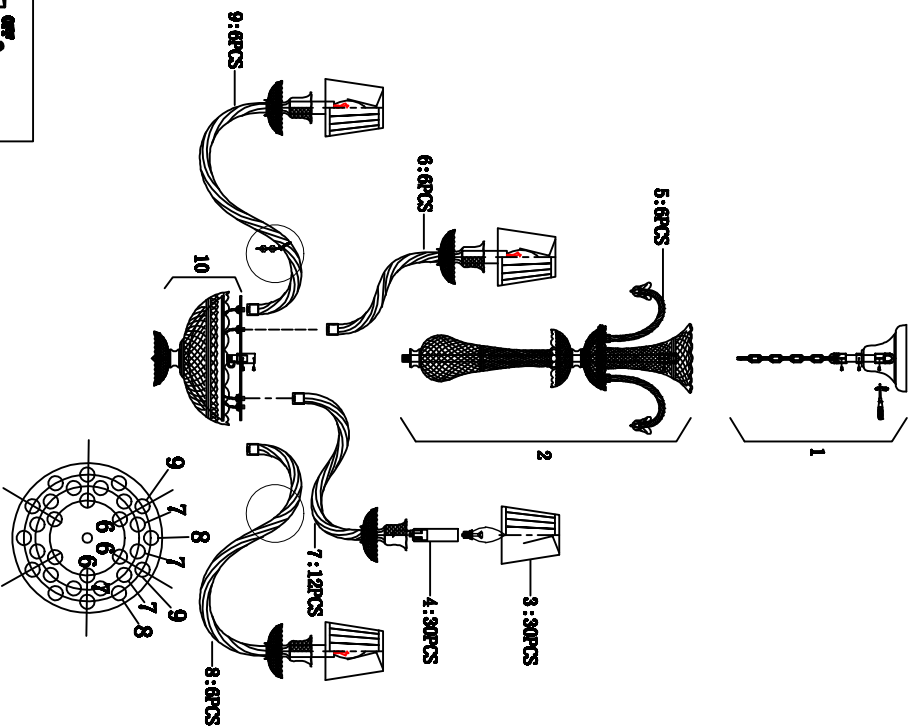


Specification of installation

In order to ensure safety use, please notice the following items:

- . Read and understand the whole Specification.
- . Suitable for the use of 220~240v and 50~60Hz.
- . Please wear gloves as installment and avoid rot on the surface of plating.
- . Must be installed on the fixed places and be checked annually.
- . Please turn off the lighting source by soft cloth as cleaning prohibited to use of rotted detergent.
- . Please connect with the local sales service center when there are any abnormality.



CEILING PLATE SIZE

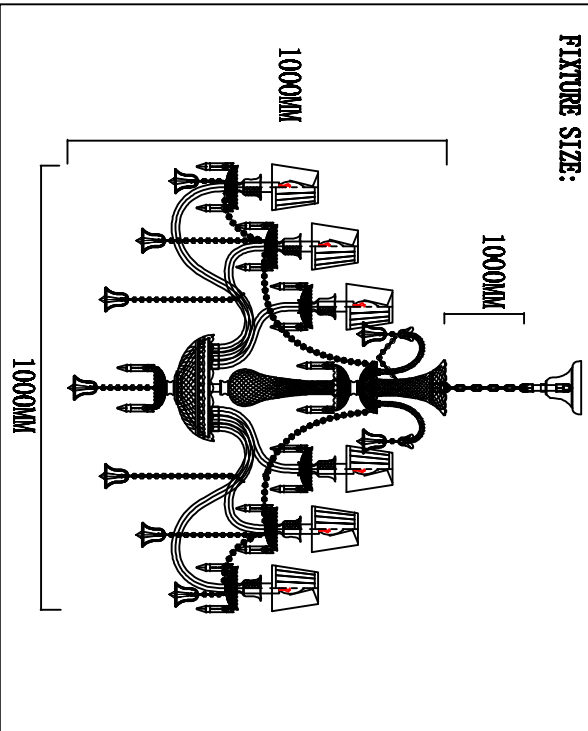


FIGURE SIZE:

