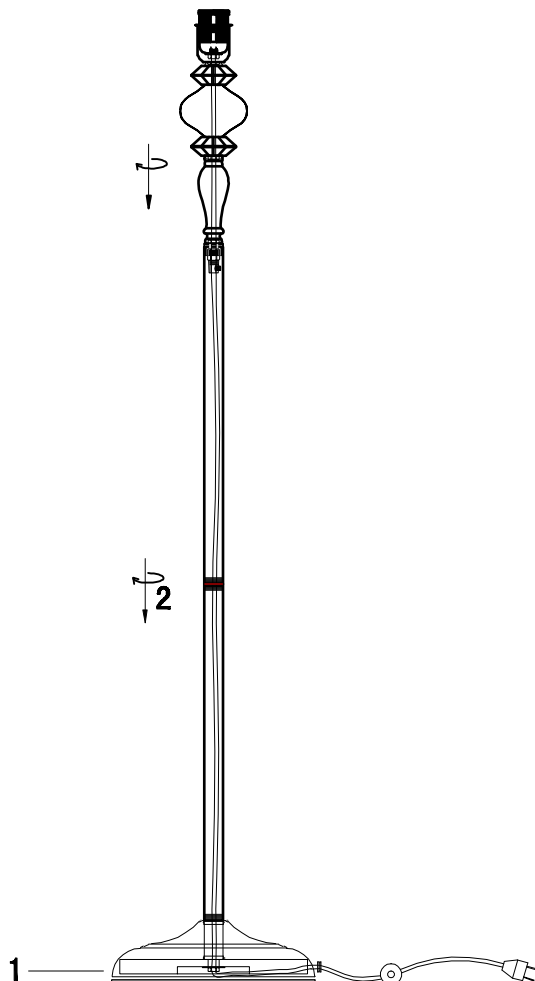
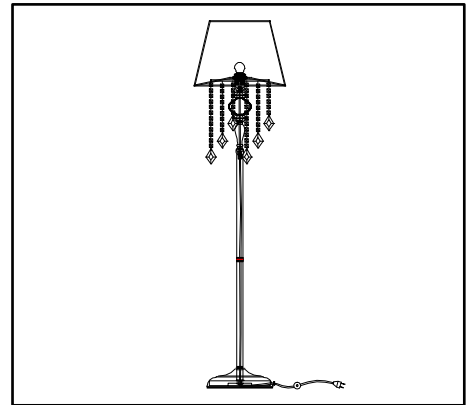
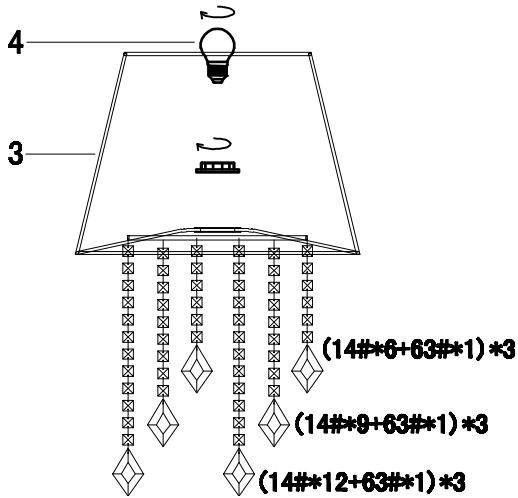




ENGLISH

Specification of installation

In order to ensure safety use, please notice the following items:

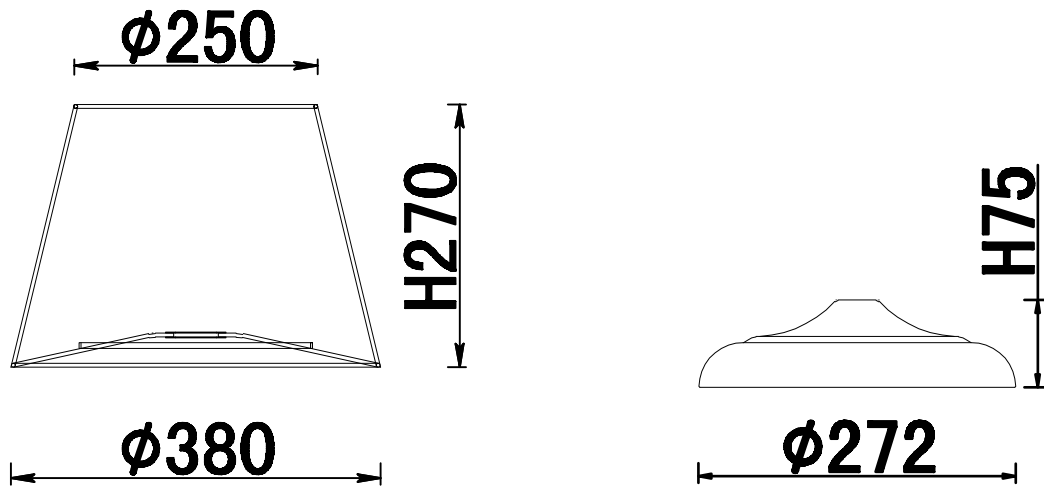
- Read and understand the whole Specification.
- Suitable for the use of 220~240V and 50~60Hz.
- Please wear gloves as installment and avoid rot on the surface of plating.
- Must be installed on the fixed places and be checked annually.
- Please turn off the lighting source by soft cloth as cleaning prohibited to use of rotted detergent.
- Please connect with the local sales service center when there are any abnormality.



- 1 Base
- 2 Iron tube
- 3 Shade
- 4 E27 bulb
- 14#*81pcs  5 Crystal
- 63#*9pcs  6 Crystal

Product coding: MERCEDES PT1 GOLD/COLOR

BASE SIZE:



FIXTURE SIZE:

