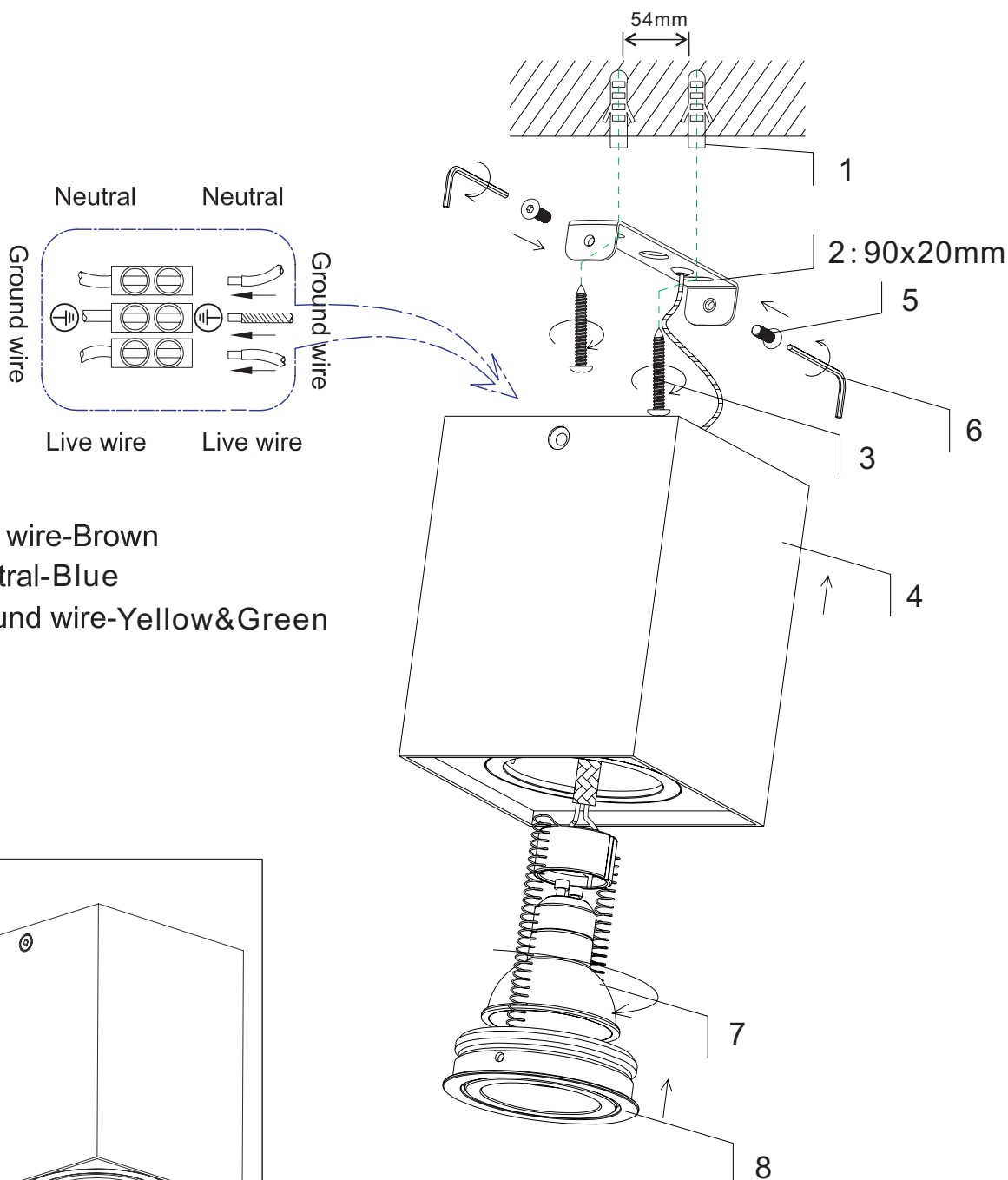


# ENGLISH

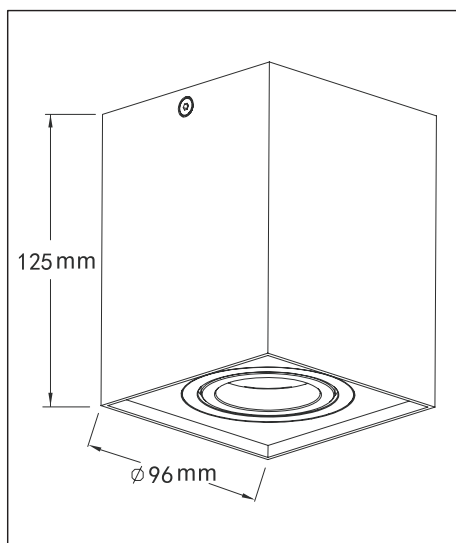
## Specification of installation

In order to ensure safety use, please notice the following items:

- Read and understand the whole Specification.
- Suitable for the use of 220~240V and 50~60Hz.
- Please wear gloves as installment and avoid rot on the surface of plating.
- Must be installed on the fixed places and be checked annually.
- Please turn off the lighting source by soft cloth as cleaning prohibited to use of rotted detergent.
- Please connect with the local sales service center when there are any abnormality.



Live wire-Brown  
 Neutral-Blue  
 Ground wire-Yellow&Green



- 1 Wall anchor
- 2 Mounting
- 3 Self-tapping screw
- 4 Lamp body
- 5 Screw
- 6 Tooling
- 7 GU10 bulb
- 8 Inner ring

Product coding: CLT 420C WH  
 CLT 420C GR  
 CLT 420C AL