

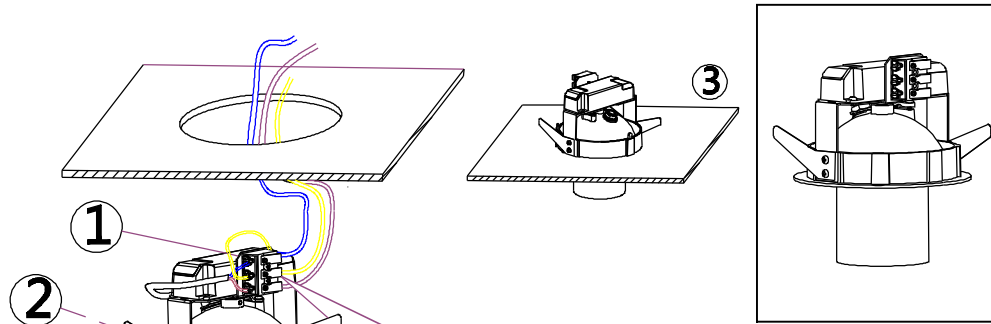
ENGLISH

IP20

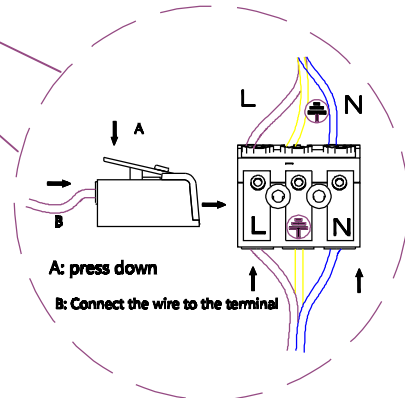
Specification of Installation

In order to ensure safety use, please notice the following items:

- Read and understand the whole Specification.
- Suitable for the use of 220~240V and 50~60Hz.
- Please wear gloves as Installment and avoid rot on the surface of plating.
- Must be installed on the fixed places and be checked annually.
- Please turn off the lighting source by soft cloth as cleaning prohibited to use of rotted detergent.
- Please connect with the local sales service center when there are any abnormality.



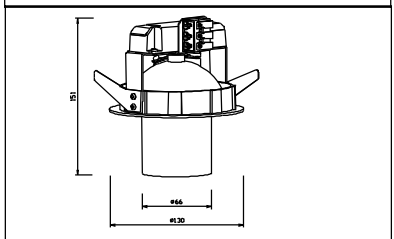
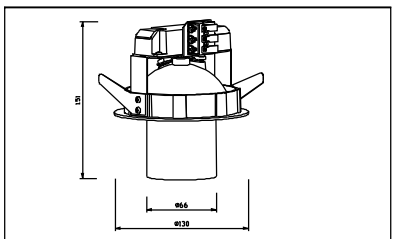
Press the shrapnel, install lamps and lanterns into the hole



Live wire-Brown
 Neutral-Light grey
 Ground wire-Yellow

1. connect the wire
2. rotate

Product coding: CLT 011C WH-BL



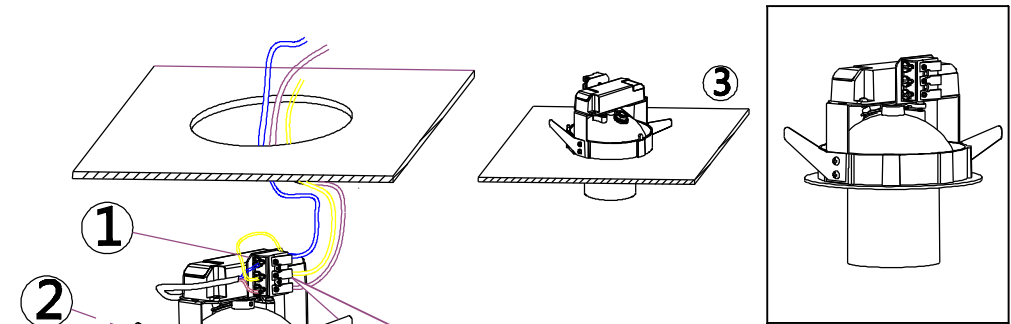
ENGLISH

IP20

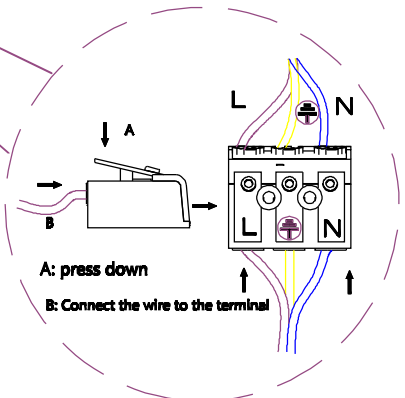
Specification of installation

In order to ensure safety use, please notice the following items:

- Read and understand the whole Specification.
- Suitable for the use of 220~240V and 50~60Hz.
- Please wear gloves as installment and avoid rot on the surface of plating.
- Must be installed on the fixed places and be checked annually.
- Please turn off the lighting source by soft cloth as cleaning prohibited to use of rotted detergent.
- Please connect with the local sales service center when there are any abnormality.



Press the shrapnel, install lamps and lanterns into the hole



Live wire-Brown
 Neutral-Light grey
 Ground wire-Yellow

1. connect the wire
2. rotate

Product coding: CLT 011C WH-BL

